

ONT

Telescopic Diffuser



FEATURES

- It is used for long-throw air distribution applications.
- Its adjustable central nozzle assembly allows conditioned supply air to be directed toward hard-to-reach areas within the space.
- It can be applied to both wall-mounted and ceiling-mounted installations.
- It is suitable for high-ceiling environments such as sports complexes, atriums, and industrial production areas.

SELECTION

Airflow	m³/h	300	360	430	540	650	790	940	1080	1260	1440	1620	1800	2160
ONT-200	LpA	19	27	132	39	45								
	DPst	17	27	38	60	86								
	DPtot	21	33	47	74	106								
	L0,2 (+10 °C)	3	3,8	4,8	7,4	4								
ONT-250	LpA			22	28	34	40	44	49					
	DPst			15	23	33	49	69	92					
	DPtot			18	29	41	61	86	114					
	L0,2 (+10 °C)			3	4	5	6,2	7,6	9					
ONT-315	LpA				17	23	29	34	39	43	48			
	DPst				10	14	21	29	39	53	69			
	DPtot				12	17	26	36	47	65	84			
	L0,2 (+10 °C)				2,6	3,2	4	4,8	5,8	7	8			
ONT-400	LpA						18	23	27	32	35	39	42	47
	DPst						7	10	14	18	24	30	38	54
	DPtot						9	13	17	23	30	38	47	68
	L0,2 (+10 °C)						2,4	3	3,6	4,2	5	5,8	6,6	8

DPst: Static Pressure Drop, Pa

PaDPtot: Total Pressure Drop, Pa

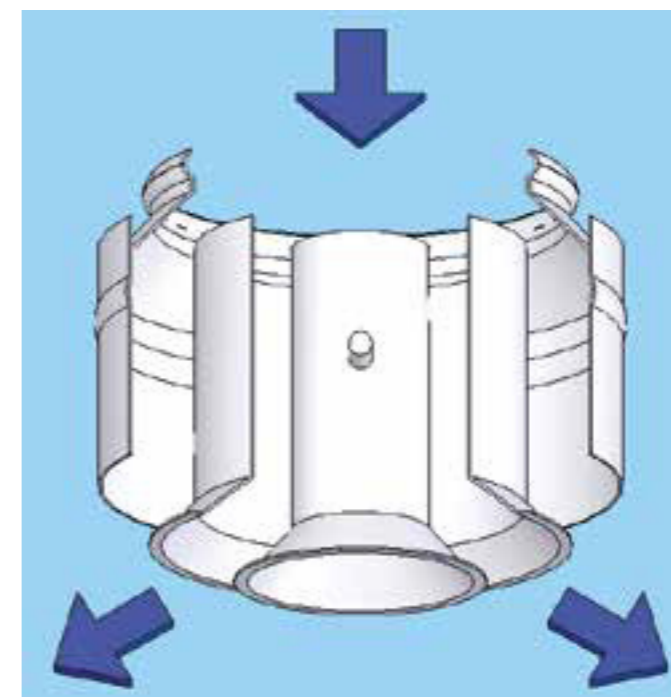
PaL0.2: Throw distance at which the jet velocity decreases to 0.2 m/s

Room Temperature [Tr] = 24 °C

Supply Air Temperature [Ta] = 34 °C

OPERATING PRINCIPLE

With the ONT Telescopic Diffuser, supply air enters the space at high velocity. By rotating the central nozzle assembly, both the throw pattern and the discharge direction can be adjusted.



MATERIAL AND SURFACE COATING

The ONT Telescopic Diffuser consists of two main components: the outer body and the central nozzle assembly. These components are formed from aluminum sheet material. The product is supplied as standard with an RAL 9010 "Electrostatic Powder Coating."

Depending on customer preferences, it can also be manufactured with a "Matte Aluminum Anodized Finish" for a metallic appearance, or as an unfinished [raw] surface with final cleaning completed.

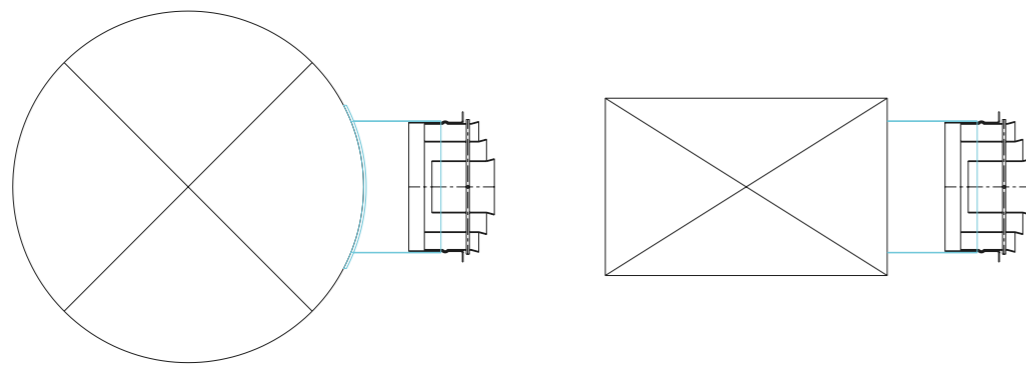
OPTIONAL

Plenum Box

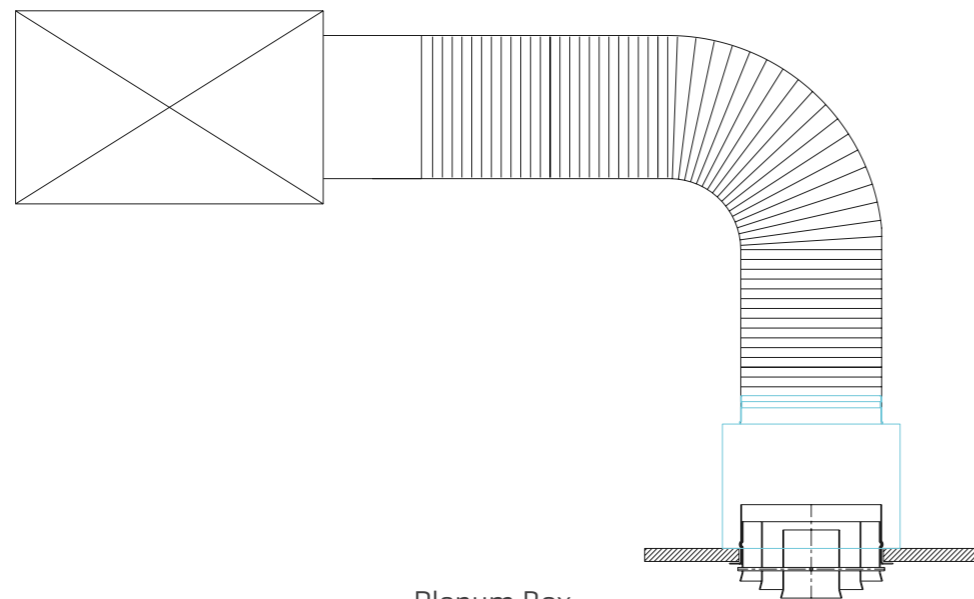
The plenum box used with the ONT Telescopic Diffuser is designed to reduce air pressure and velocity to appropriate levels, thereby improving the throw characteristics of the supply air. The air balanced within the plenum box mixes uniformly with the room air across the entire discharge surface of the diffuser.

Duct Connection Adapter

It is used to enable square or circular duct connections for the ONT Telescopic Diffuser.

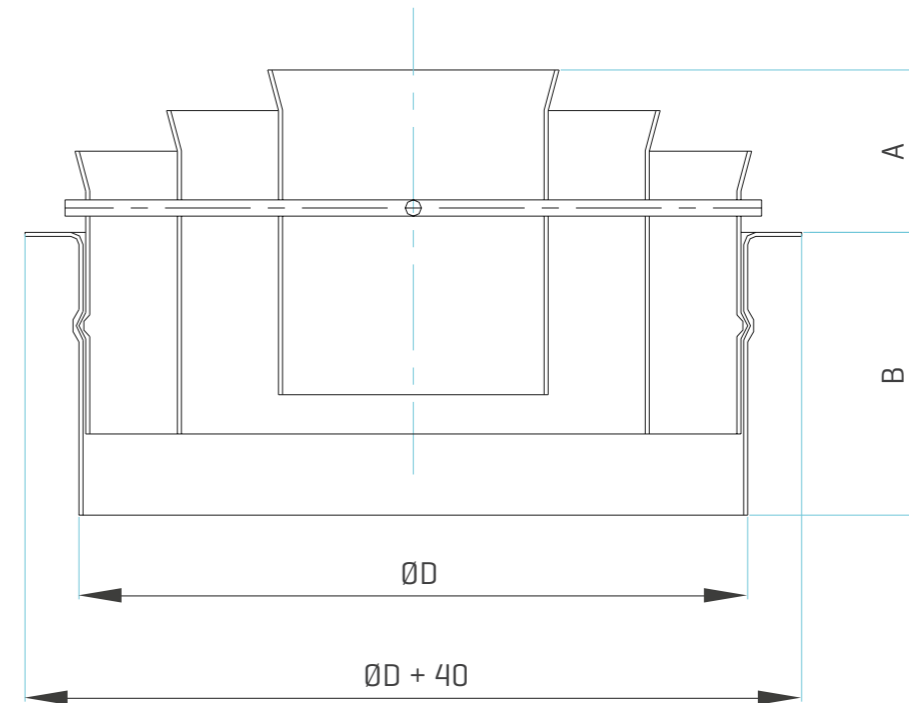


Duct Connection Adapter



Plenum Box

DIMENSIONS



Product Code	ØD	A	B
ONT-200	198	48	85
ONT-250	248	60	105
ONT-315	313	75	132
ONT-400	398	97	168

TECHNICAL DETAILS

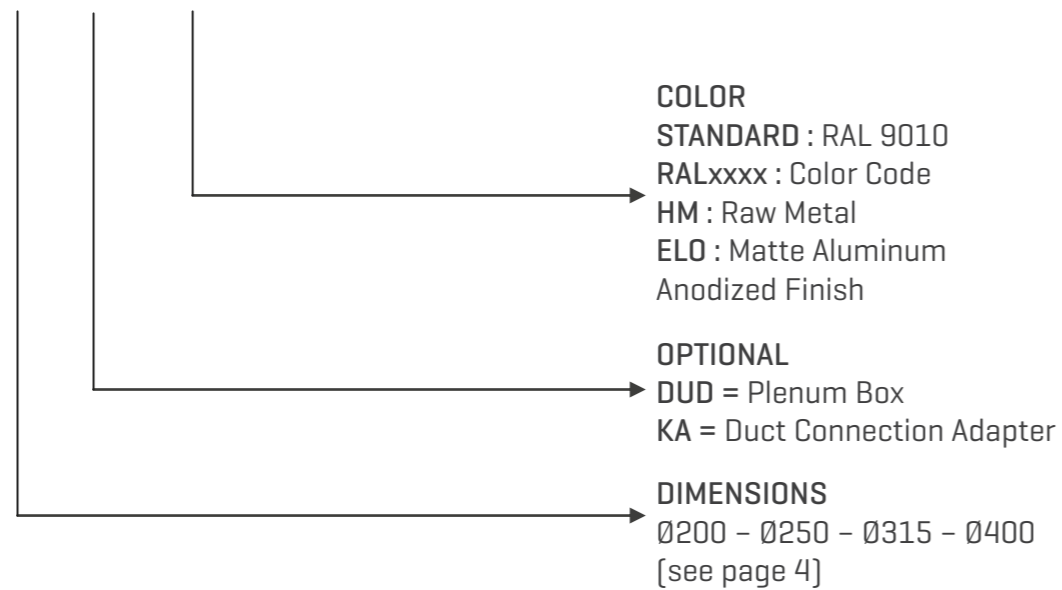
The central nozzle assembly of the ONT Telescopic Diffuser shall be easily adjustable by hand, allowing conditioned supply air to be directed toward hard-to-reach areas within the space. The outer body and central nozzle assembly shall be manufactured from aluminum sheet material. The standard configuration includes screw-type installation and an RAL 9010 color finish. Unless otherwise specified in the order code, the ONT diffuser shall be supplied in the standard configuration.

Upon customer request, the product may be painted in other RAL colors, or supplied with a Matte Aluminum Anodized Finish for a metallic appearance, or delivered in a raw (uncoated) form. For uniform air distribution, the diffuser must be used with a plenum box. The plenum box shall be fabricated from galvanized sheet steel.

ORDER CODE

Telescopic Diffuser

ONT / Ø 250 / KA / RAL9010 — Example Coding



SUSTAINABILITY SOLUTIONS AT DOGU HVAC



We offer supplementary health insurance to our employees to promote healthy living. We also plan health-focused initiatives such as smoking cessation programs.



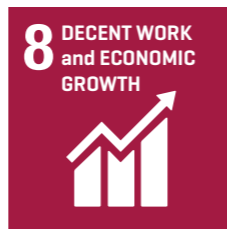
Through the DOGU HVAC CLUB project, we organize technical tours of our factory, participate in career events, and provide sponsorships to support the skill development of university and technical high school students.



In 2024, we increased female employment in our administrative and production departments. This step aims to contribute to gender equality by offering a workplace with equal rights for all employees.



Our R&D center's 2,500 m² solar panels and 0.6 MW annual capacity solar energy systems reduce our carbon footprint. We generate our electricity, ensuring a reliable, sustainable, and accessible clean energy source.



Decent Work and Economic Growth: As an employer brand, our primary goal is to protect our employees' rights and create a workplace founded on equality and justice for all employees.



We enhance indoor air quality with environmentally friendly and energy-efficient products, ensuring adherence to European standards.



We minimize waste through lean production policies and emphasize recycling, simultaneously increasing efficiency in our production processes.



We support environmental protection through our eco-friendly, sustainable, energy-efficient product lines and R&D efforts focused on reducing waste that could contribute to climate change.



We value transparency and accountability, working with associations like ISKAV to prevent corruption and unfair competition, aligning with sectoral ethical values.



Venues Breathe With Us



Scan to watch our
promotional video