

# HOME

Residential Type Heat Recovery Unit

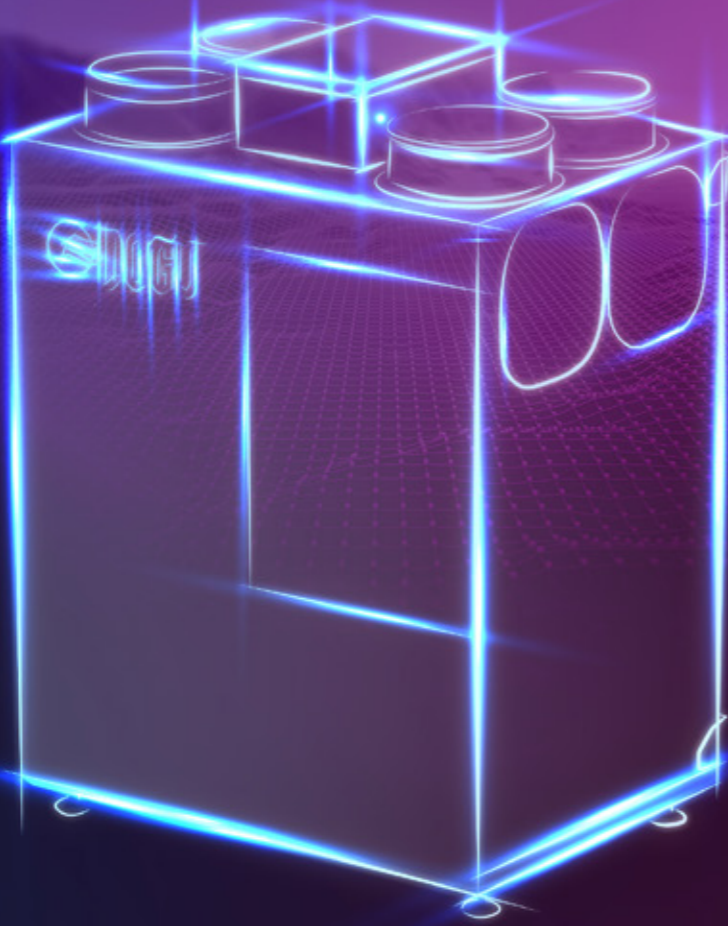


EPP HOME [Expanded Polypropylene]  
Residential Type Heat Recovery Unit

# FOCUS DOGU

## For the Future of Sustainability

With our R&D investments and strong team that lead the air conditioning sector, we are at a place where devices that consider the future of the world are **meticulously tested**.



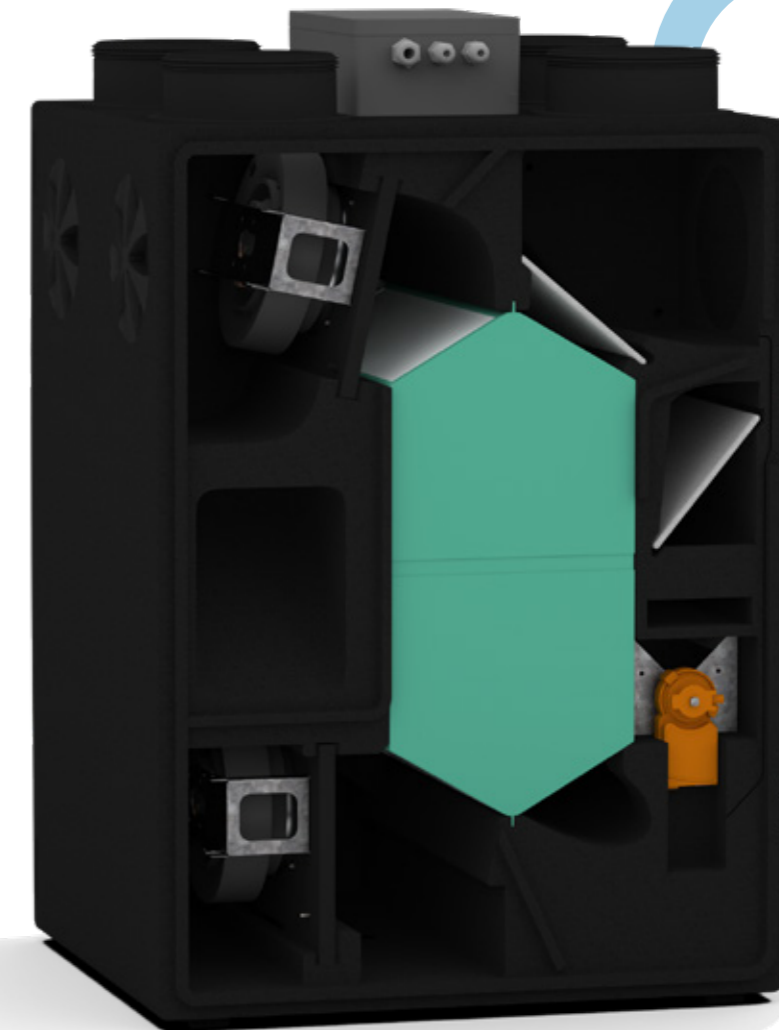
**HOME**  
Residential Type  
Heat Recovery Unit

## HOME

EPP HOME | RESIDENTIAL TYPE HEAT RECOVERY UNIT

### GENERAL OVERVIEW

- EC Plug Fan
- Reverse Flow Heat Recovery Exchanger
- Control Panel
- Feed Direction Filter
- Exhaust Direction Filter
- By-pass Damper Motor
- Stainless Steel designed condensate pan
- Plastic Spigot directions can be changed to TOP or SIDE



### HOME OVERVIEW

- Galvanized casing
- Low-noise, high-efficiency fans
- High-efficiency heat recovery exchanger
- Optional electric heater DX/heating/cooling coil
- A+ energy efficiency class
- 19 mm rubber insulation
- Body made of electrostatically powder-coated galvanized steel sheet

### EPP HOME OVERVIEW

- Low-noise, high-efficiency fans
- High-efficiency heat recovery exchanger
- Optional electric heater DX/heating/cooling coil
- A+ energy efficiency class
- 45-density EPP
- Easy installation
- Lightweight design for easy commissioning
- High structural durability for protection against external factors
- Energy-absorbing against heavy impacts and applications
- Environmentally friendly with 100% recyclable material and low carbon footprint
- High thermal insulation for superior leak prevention
- High resistance to various chemical compounds
- Corrosion-resistant due to moisture-impervious structure
- High sound insulation for a comfortable, noise-free environment



#### • HEAT EXCHANGER

- High-efficiency polypropylene counter flow heat exchanger
- Special application for the anti-freeze protection

#### • FILTERS

- Large filtering area for energy efficiency and long service period [up to 6 months]
- G4 panel filters or optional high efficiency F7 filter on supply air side.

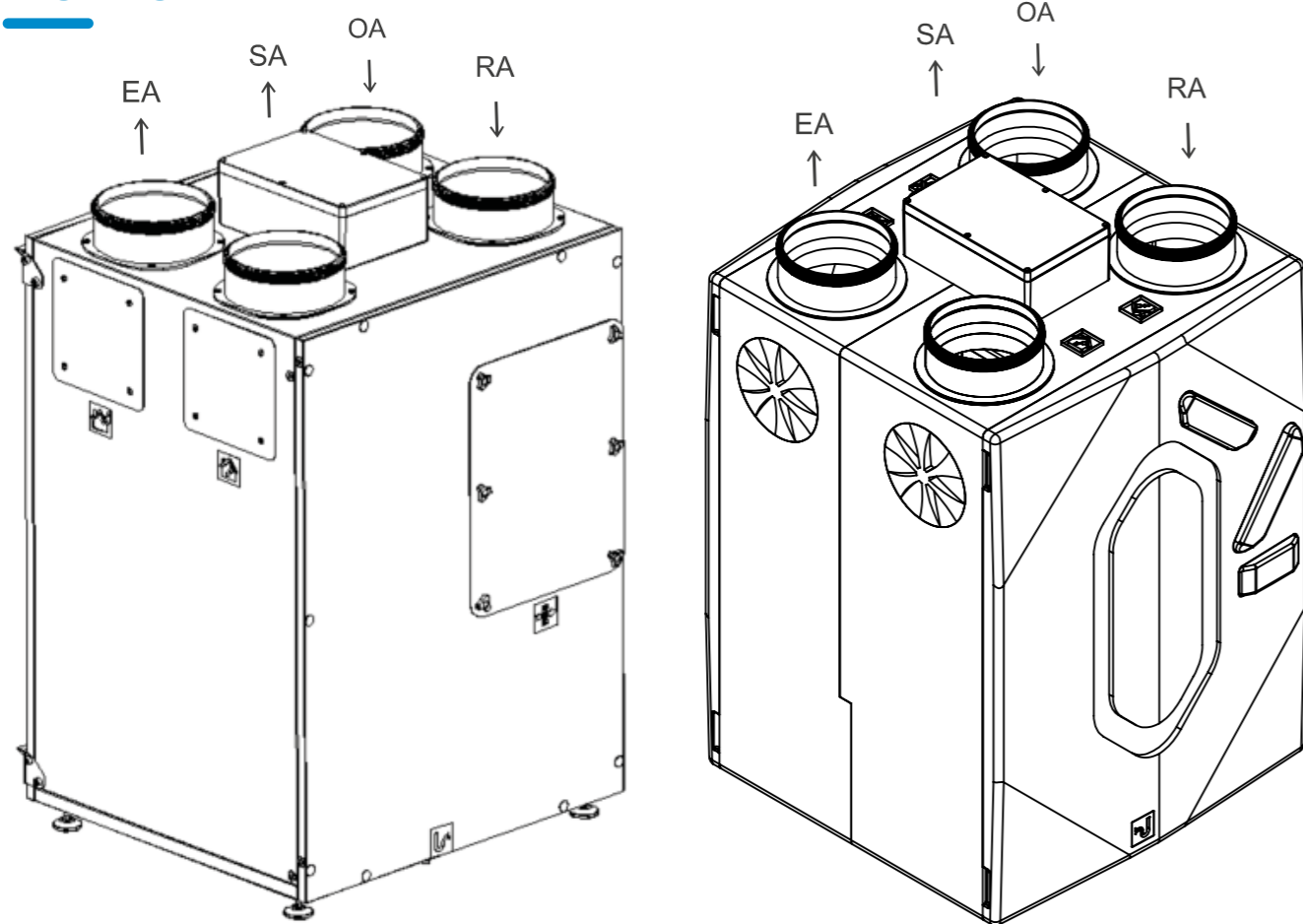
#### • FANS

- New generation EC fans
- Low power consumption
- Low sound level
- 10 years product life time [40.000 hours]

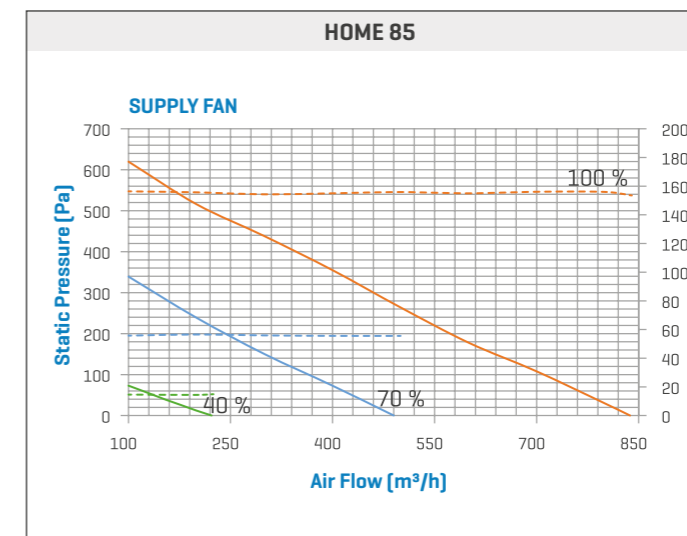
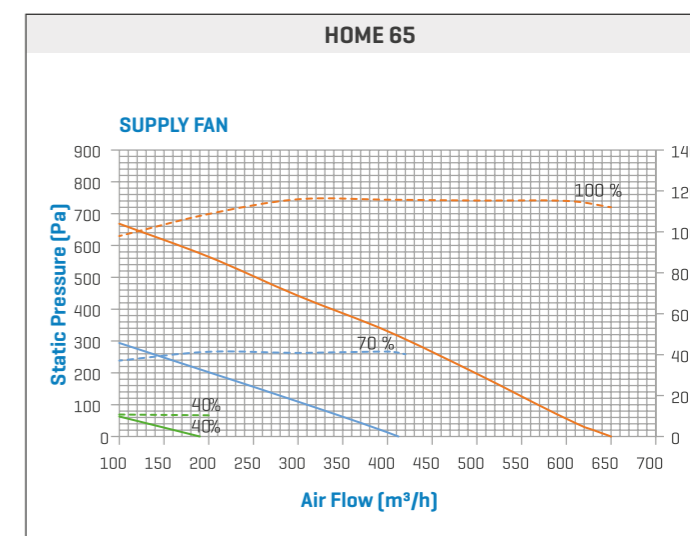
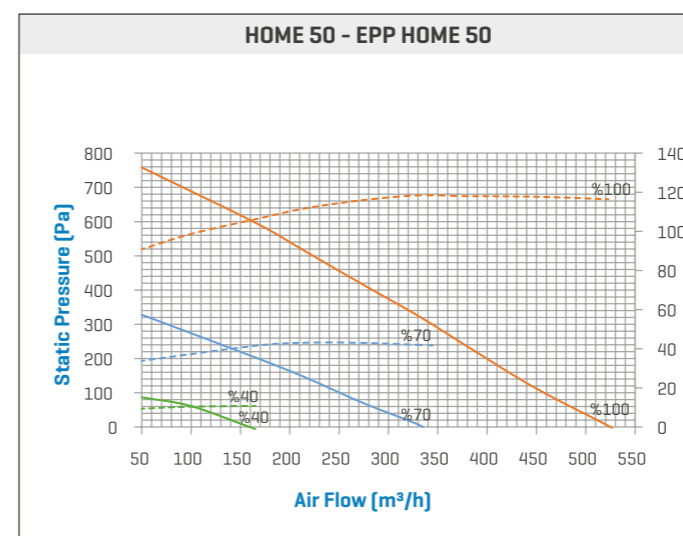
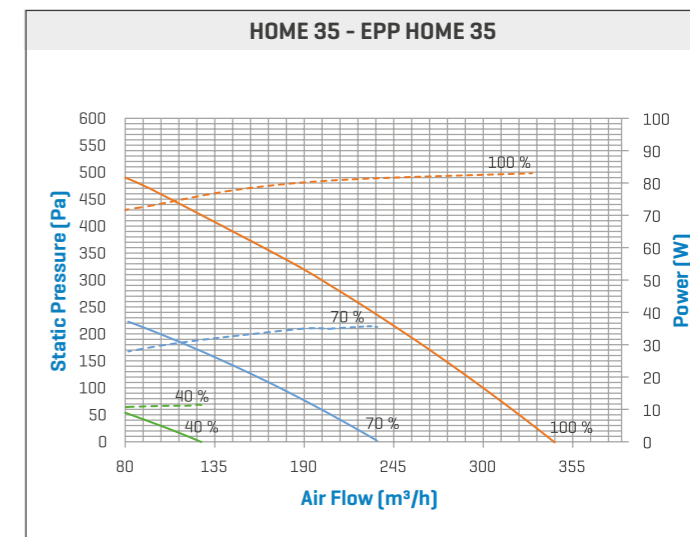
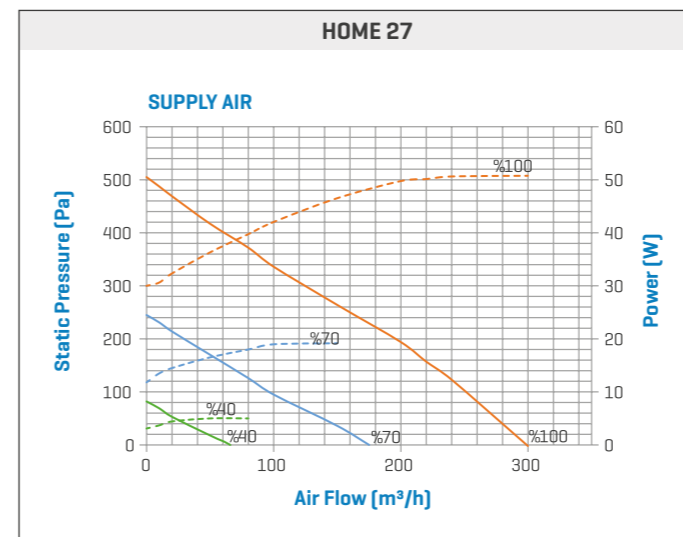
#### • OPTIONS

- Optional electrical heater or DX/heating/cooling coil
- Optional CO<sub>2</sub> or pressure sensor
- Optional wireless temperature sensor, wireless CO<sub>2</sub> sensor, wireless differential pressure sensor, wireless control panel-display available

### TECHNICAL DATA

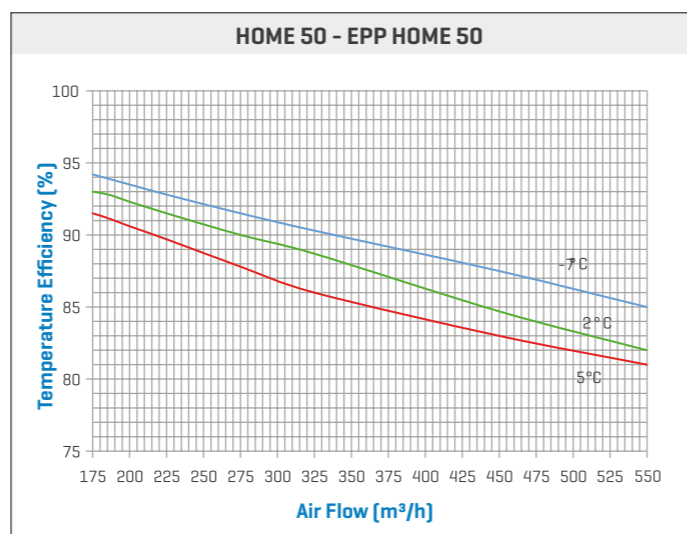
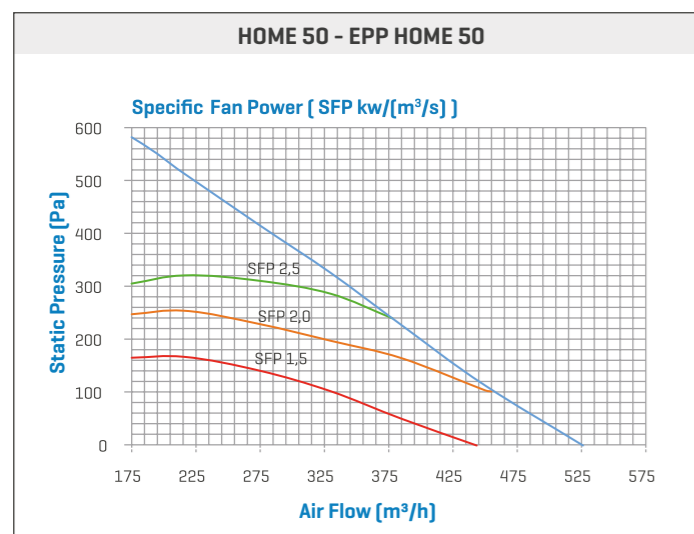
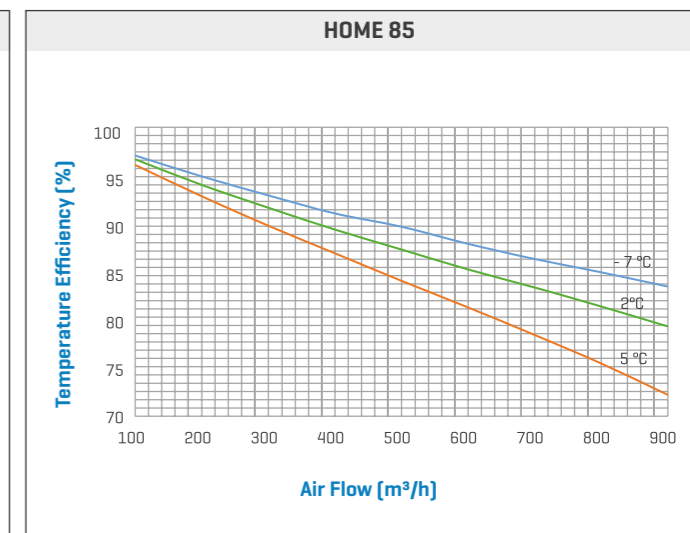
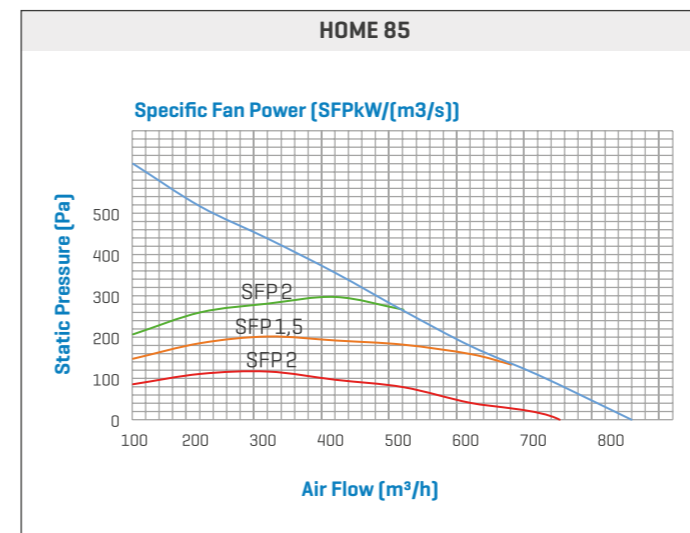
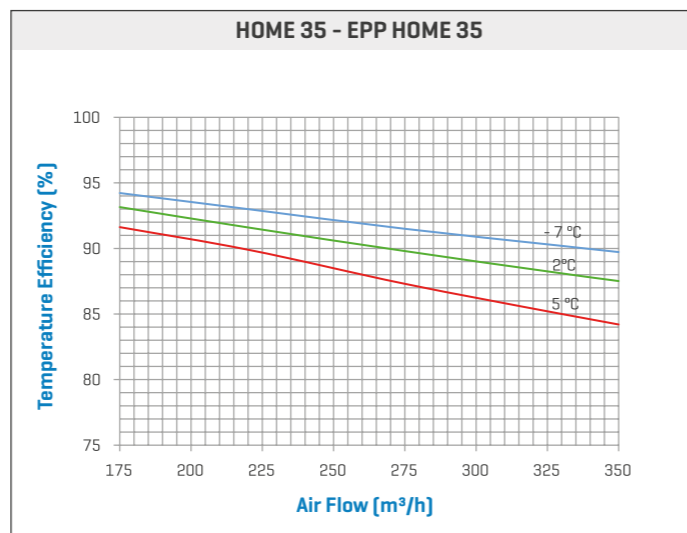
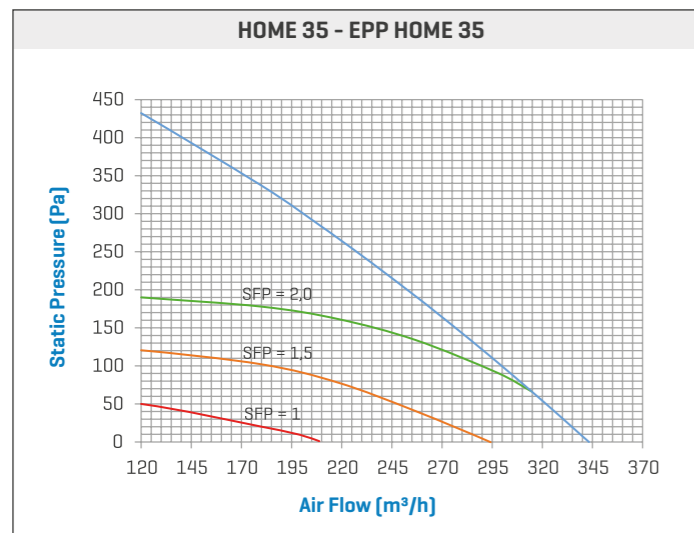
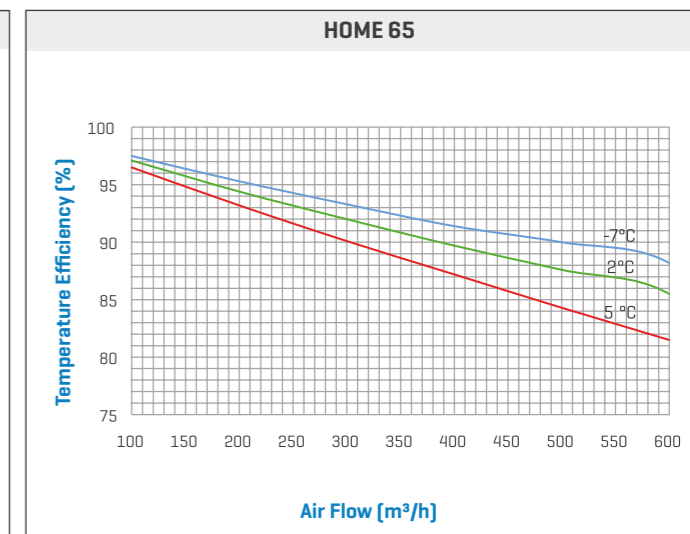
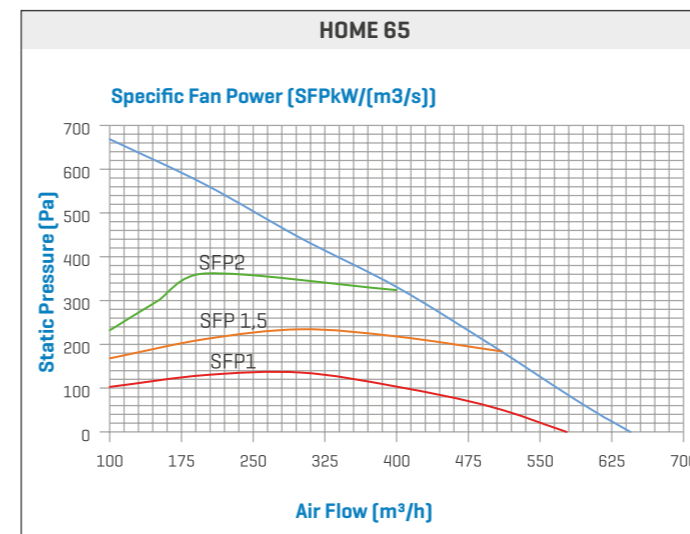
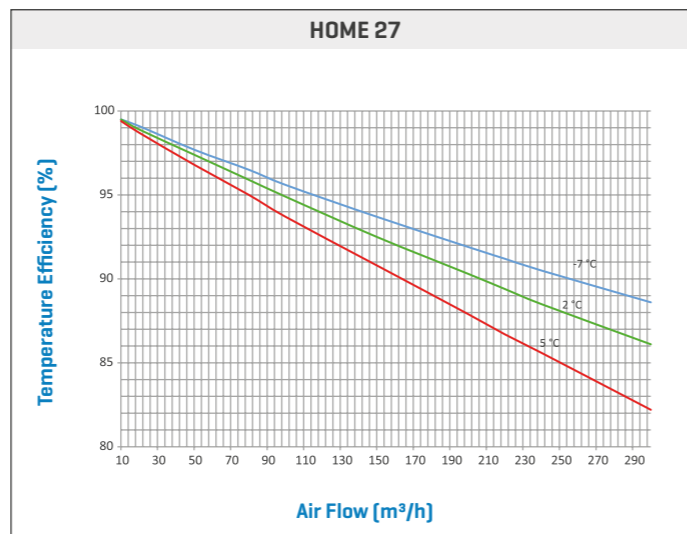
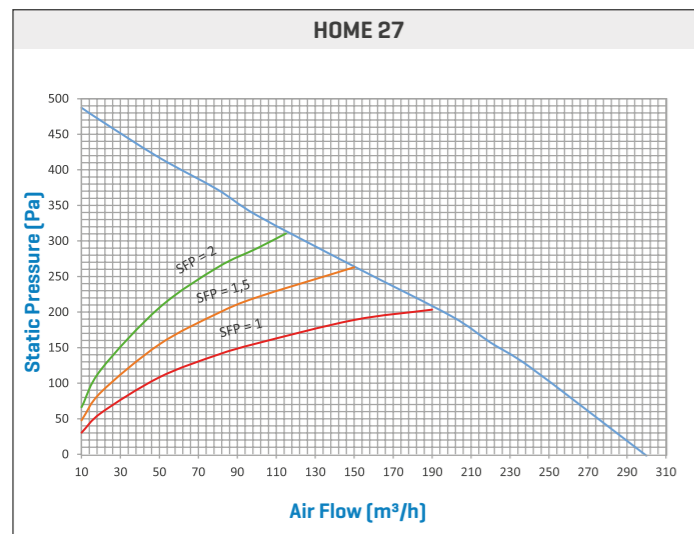


OA: OUTSIDE AIR  
 SA: SUPPLY AIR  
 RA: RETURN AIR  
 EA: EXHAUST AIR



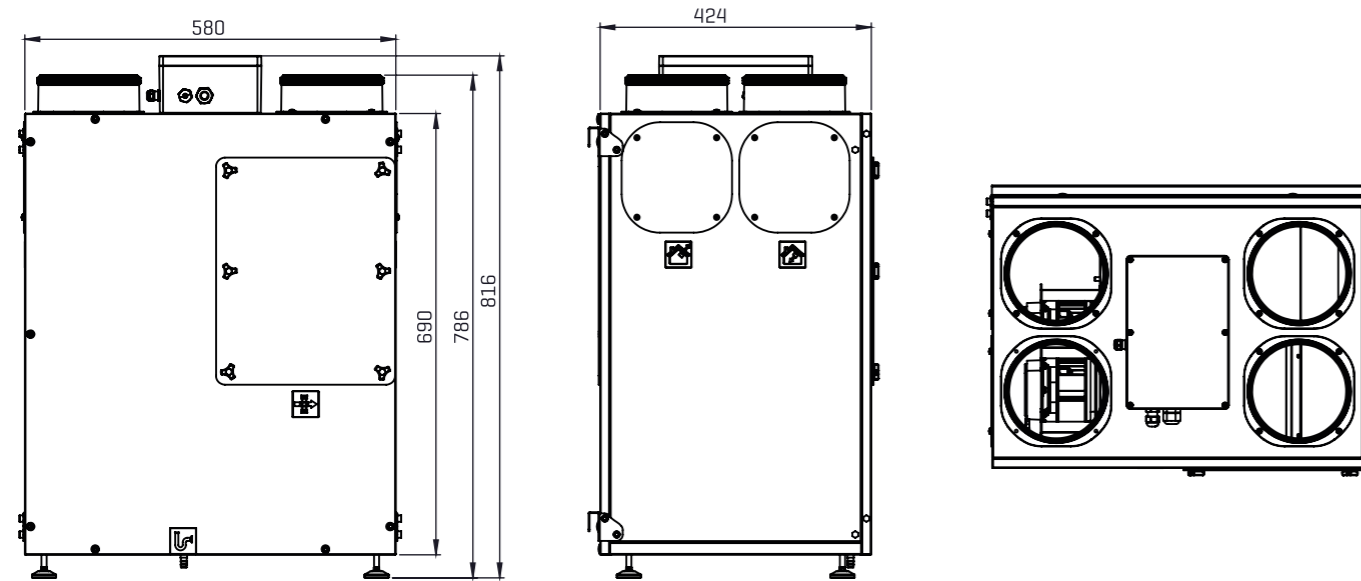
		HOME 27		HOME - EPPHOME 35		HOME - EPPHOME 50		HOME 65		HOME 85	
SEC [1]	warm	-16,37	E	-16,37	E	-16,9	E	-16,8	E	-17,71	E
	mild	-41	A	-41	A	-41,7	A	-41,14	A+	-42,61	A
	cold	-79,39	A+	-79,39	A+	-80,39	A+	-79,04	A+	-81,47	A+
Heat Recovery System		Recuperative		Recuperative		Recuperative		Recuperative		Recuperative	
SPI	W/[m³/h]	0,295		0,277		0,2975		0,267		0,2425	
Thermal Efficiency	%	87,6		84,4		85,9		85,9		86,8	
Referenced Flow Rate [150 Pa]	m³/h	242		275		400		540		640	
Electrical Power Input	W	100		166		238		228,6		310,4	
Sound Power Level At Flow Rate	Lwa	43		39		41		41		54	
Filters		G4		G4		G4		G4		G4	
Control System		Integrated		Integrated		Integrated		Integrated		Integrated	

## TECHNICAL DATA

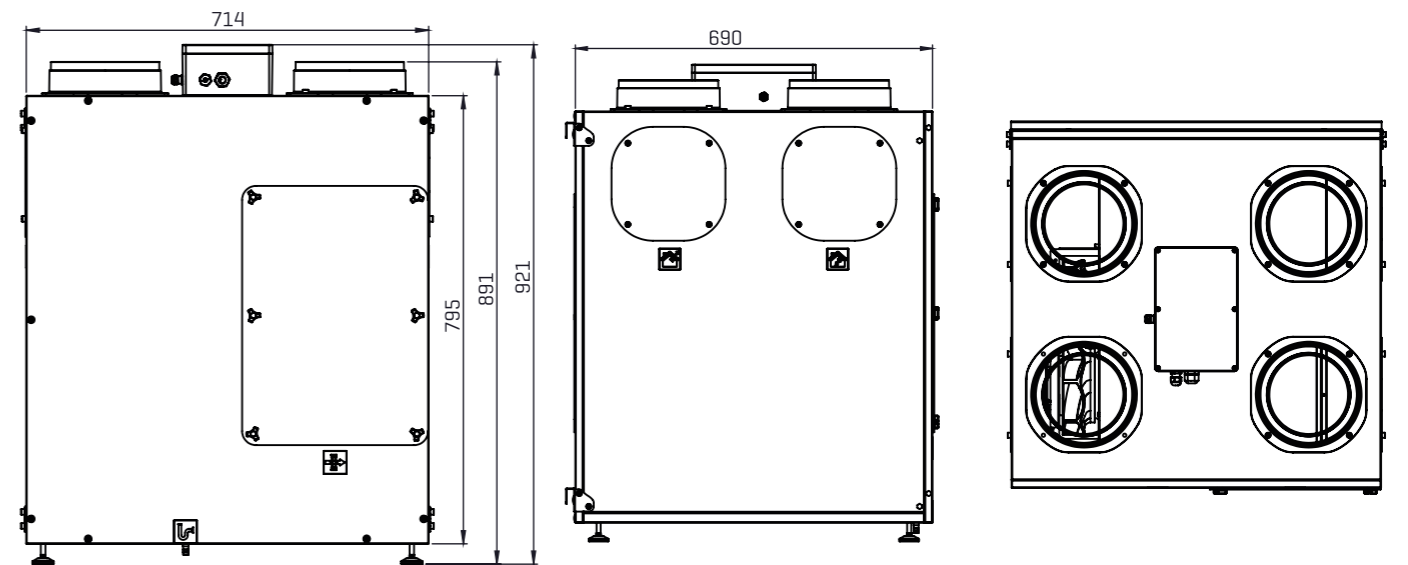


## TECHNICAL DATA

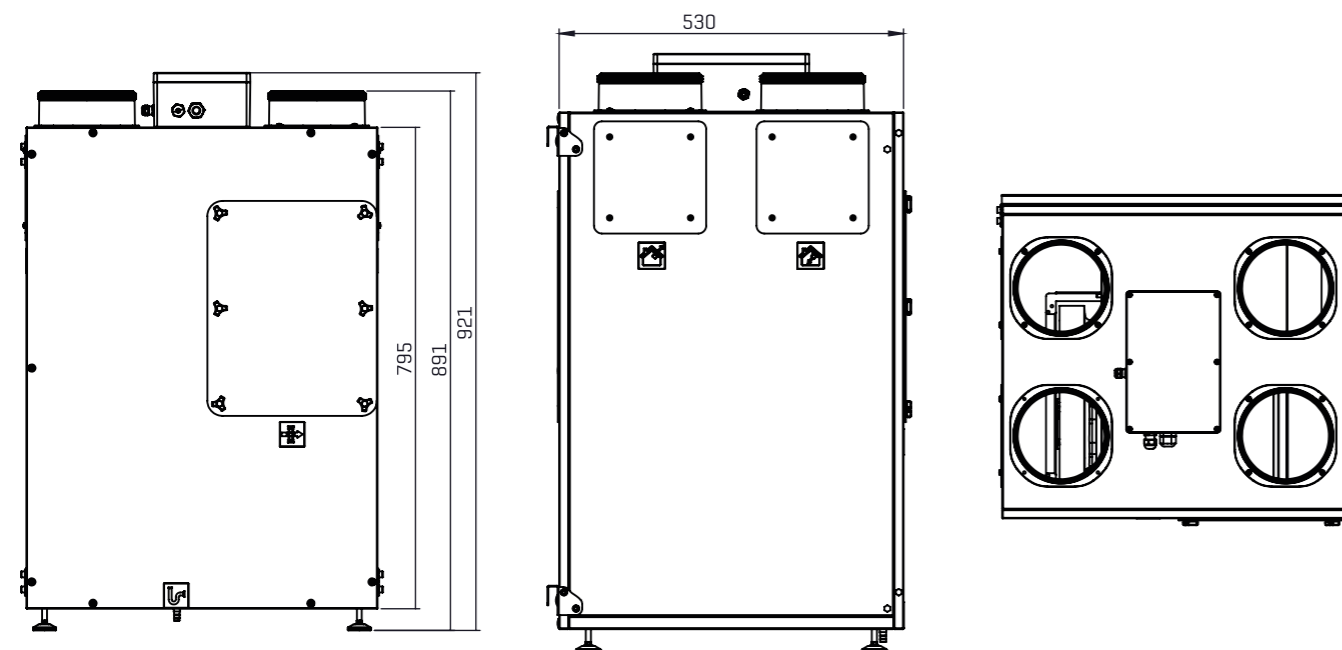
### HOME 27



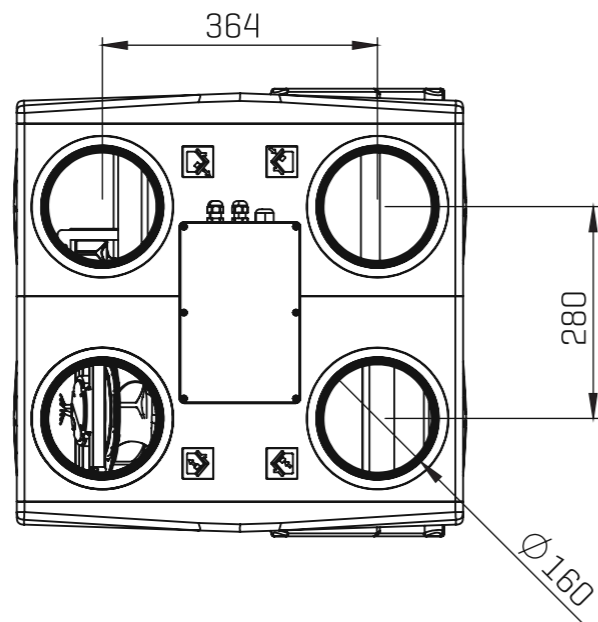
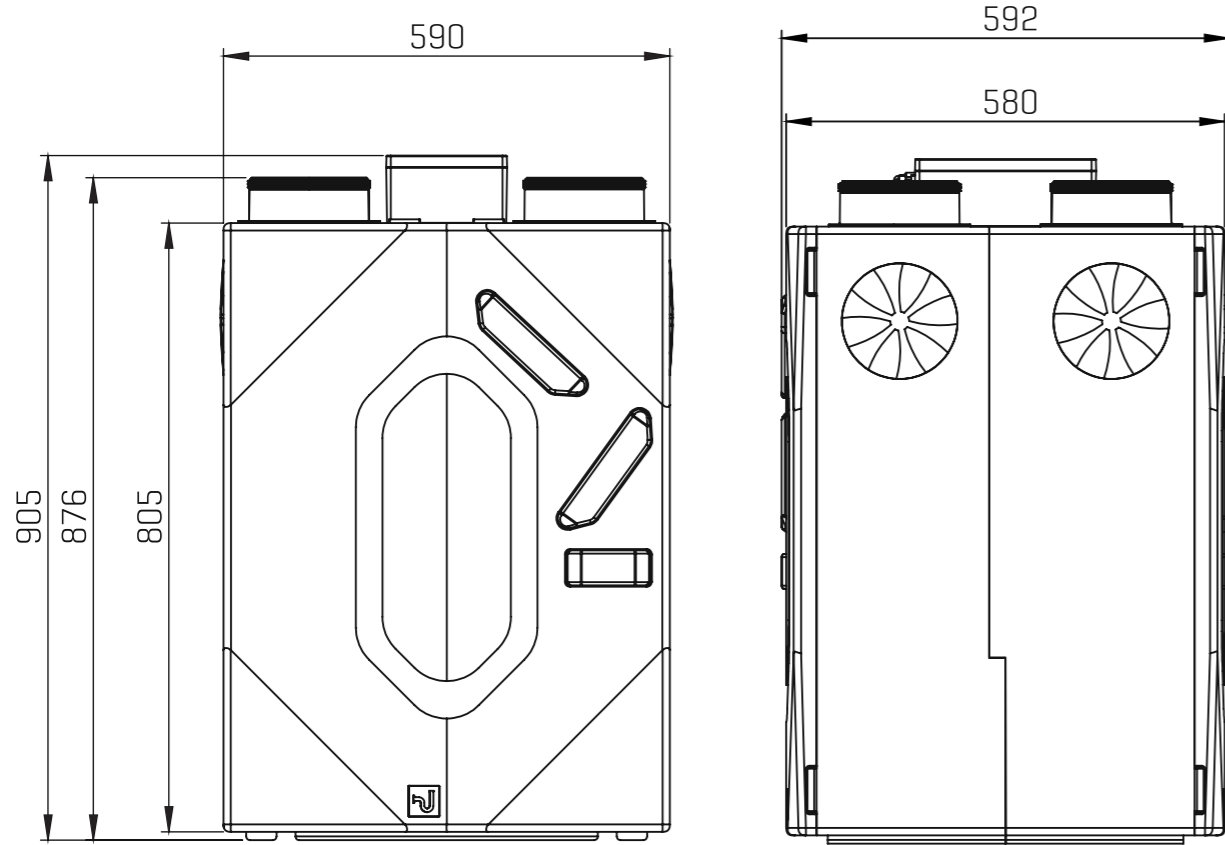
### HOME 65 - 85



### HOME 35 + 50

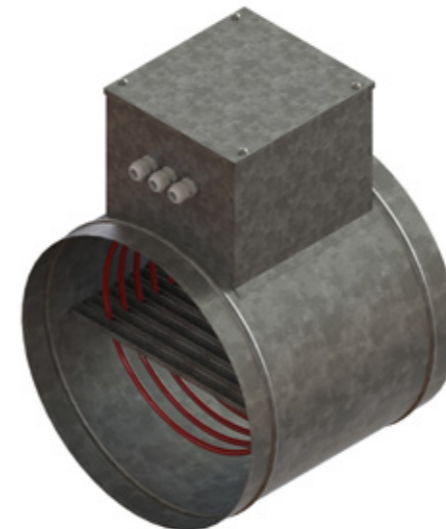


## EPP HOME 35-50



OPERATION	DESCRIPTION	STANDARD - S OPTIONAL - O
On / Off	Control panel or external start stop function is available.	S
Display	Digital control panel is available.	S
Display	Wireless controller is available as option.	O
Fan Speed Control	3 steps fan speed control of supply and exhaust fan is available.	S
Fan Speed Control	Constant air flow is available with pressure sensors.	O
Fan Speed Control	Airflow control based on the air quality sensor is available.	O
Bypass Damper FunctionDonmaya	Free cooling is available, by controlling the in door and outdoor air conditions.	S
Frost Protection Function	Where outdoor temperature is low, this function will be active by receiving information via humidity and temperature sensors.	S
ModBus	It controls all functions of unit via PC or BMS board.	S
Filter Function	There are 2 alternatives to control filters: 1: It records run time of the unit and when set time expires, control panel gives an alert for filter change. 2: Filter change time can be controlled with pressure switch mechanically. By this way, control panel gives an alert when filter needs to be changed.	S
Boost Function	It is used in order to increase fan speed: Alternative 1: Via boost button on the control panel. Alternative 2: Via dry contact or light power input [230V] on PCB board.	S
Safety	It automatically stops operating in case of interfering to the unit while it is working.	S
Fire Alarm Function	It will be active in case of fire.	S
Control and Sensor	Upon request, wireless CO <sub>2</sub> , differential pressure, temperature humidity sensors are available.	O

## ACCESSORIES



**Electrical Heater** Circular electric heaters have two thermostats as standard. The first thermostat is set to 70 °C, the air in the electric heater cuts off the electric current when it reaches 70 °C, allowing the device to restart automatically when the temperature drops. The second thermostat used for safety purposes is activated at 110 °C and cuts off the electric current. The thermostat must be reset manually from the red button in order for the appliance to operate again.

	Air Flow [m <sup>3</sup> /h]	Diameter [mm]	ΔT=5	ΔT=10	ΔT=15
			kW	kW	kW
<b>HOME 27</b>	246	160	0,5	1	1,5
<b>HOME - EPP HOME 35</b>	275	160	0,5	1	1,5
<b>HOME - EPP HOME 50</b>	400	160	1	1,5	2
<b>HOME 65</b>	540	200	1	2	3
<b>HOME 85</b>	640	200	1	2	4

# SUSTAINABILITY SOLUTIONS AT DOĞU HVAC



**GOOD HEALTH and WELL-BEING**

We offer supplementary health insurance to our employees to promote healthy living. We also plan health-focused initiatives such as smoking cessation programs.



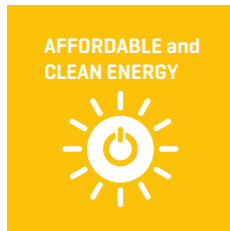
**QUALITY EDUCATION**

Through the DOĞU HVAC CLUB project, we organize technical tours of our factory, participate in career events, and provide sponsorships to support the skill development of university and technical high school students.



**GENDER EQUALITY**

In 2024, we increased female employment in our administrative and production departments. This step aims to contribute to gender equality by offering a workplace with equal rights for all employees.



**AFFORDABLE and CLEAN ENERGY**

Our R&D center's 2,500 m<sup>2</sup> solar panels and 0.6 MW annual capacity solar energy systems reduce our carbon footprint. We generate our electricity, ensuring a reliable, sustainable, and accessible clean energy source.



**DECENT WORK and ECONOMIC GROWTH**

Decent Work and Economic Growth: As an employer brand, our primary goal is to protect our employees' rights and create a workplace founded on equality and justice for all employees.



**SUSTAINABLE CITIES and COMMUNITIES**

We enhance indoor air quality with environmentally friendly and energy-efficient products, ensuring adherence to European standards.



**RESPONSIBLE CONSUMPTION and PRODUCTION**

We minimize waste through lean production policies and emphasize recycling, simultaneously increasing efficiency in our production processes.



**CLIMATE ACTION**

We support environmental protection through our eco-friendly, sustainable, energy-efficient product lines and R&D efforts focused on reducing waste that could contribute to climate change.



**PEACE, JUSTICE and STRONG INSTITUTIONS**

We value transparency and accountability, working with associations like İSKAV to prevent corruption and unfair competition, aligning with sectoral ethical values.



## Venues Breathe With Us



Read to watch our  
promotional video